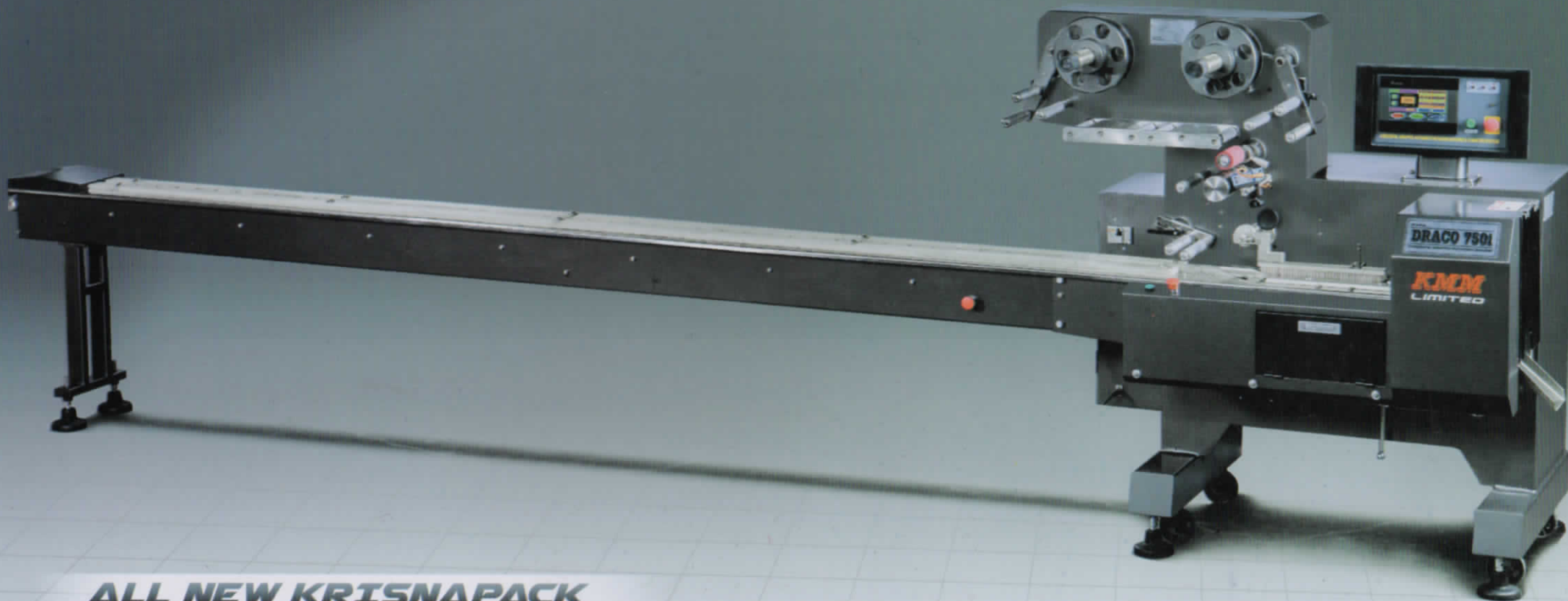


DRACO 750i

AUTOMATIC HORIZONTAL WRAPPING MACHINE



KRISNA PACK



**ALL NEW KRISNAPACK
LEADING OF PACKAGING**

WWW.KRISNAPACK.COM



STANDARD FEATURES

- Product : Soft Candy, Tiny Biscuit, Belacan, etc.
- Seal type : Center seal and rotary end seal system
- Machine type : Horizontal with fix bag former size and double roll film above system
- Packing Size : W:15~35mm, L:20~60mm, H:Up to 15mm
- Target Weight : Up to 10 gram
- Machine dimension : 907 × 4075 × 1520mm (W×L×H)
- Packaging material : AL + PE, OPP + PE, NY + PE and other sealable papers
- Operating speed : Up to 400 pack/minute
- Supply voltage : 220V/380V, 1ph/3ph, neutral 50Hz
- Power requirement : 3,5 kVA/18 amps

(Other dimension of bag size depends on customer needs)
(Production speed depends on product material, size, plastic film and feeding method)



SPECIAL FEATURES

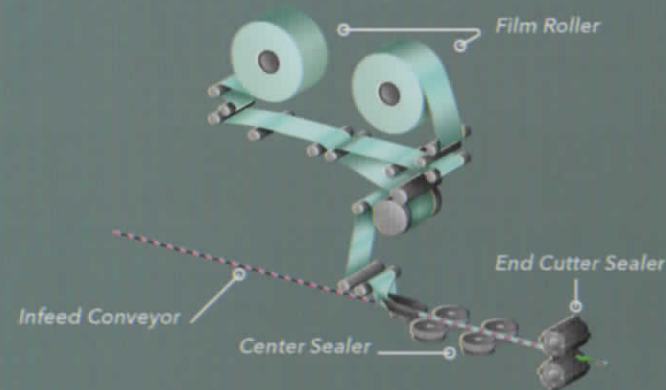


COMPATIBLE & ELECTRICAL MECHANICAL DESIGN

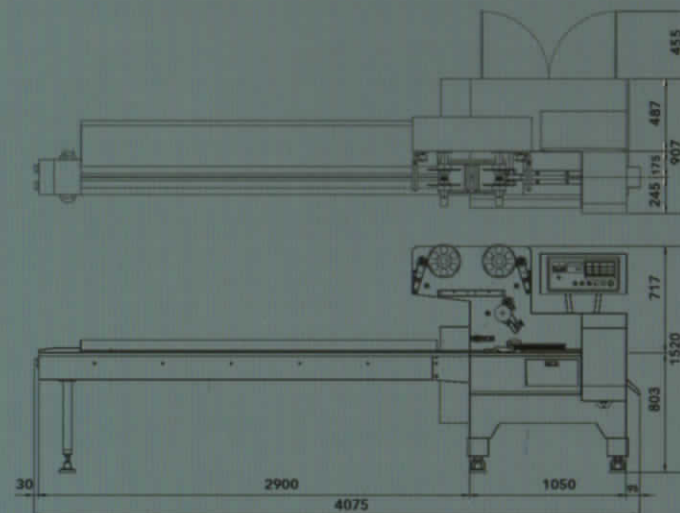
- Cantilevered body for maximum hygiene and easy cleaning
- Adjustable machine feet
- Double reel holder with mechanical brake
- Two sets of roller seal, cold & hot
- Manual opening of center seal
- Operator panel with machine control buttons and Touchscreen size 7"
- Two motor drive with integrated advance technology system

(All machine specification is subject to change without prior notice)

PRODUCT FLOWCHART



MACHINE LAYOUT



CONTACT



PT. KRISNA MAJU MAKMUR
 Jl. Raya Gedangan - Betro KM.2 NO.43 A
 Ds. Wedi - Gedangan - Sidoarjo - Indonesia
 Phone : +62 31 8913843 - 44
 Fax : +62 31 8913842
 Web : www.krisnapack.com

Distributor :

Sales - Service - Spareparts